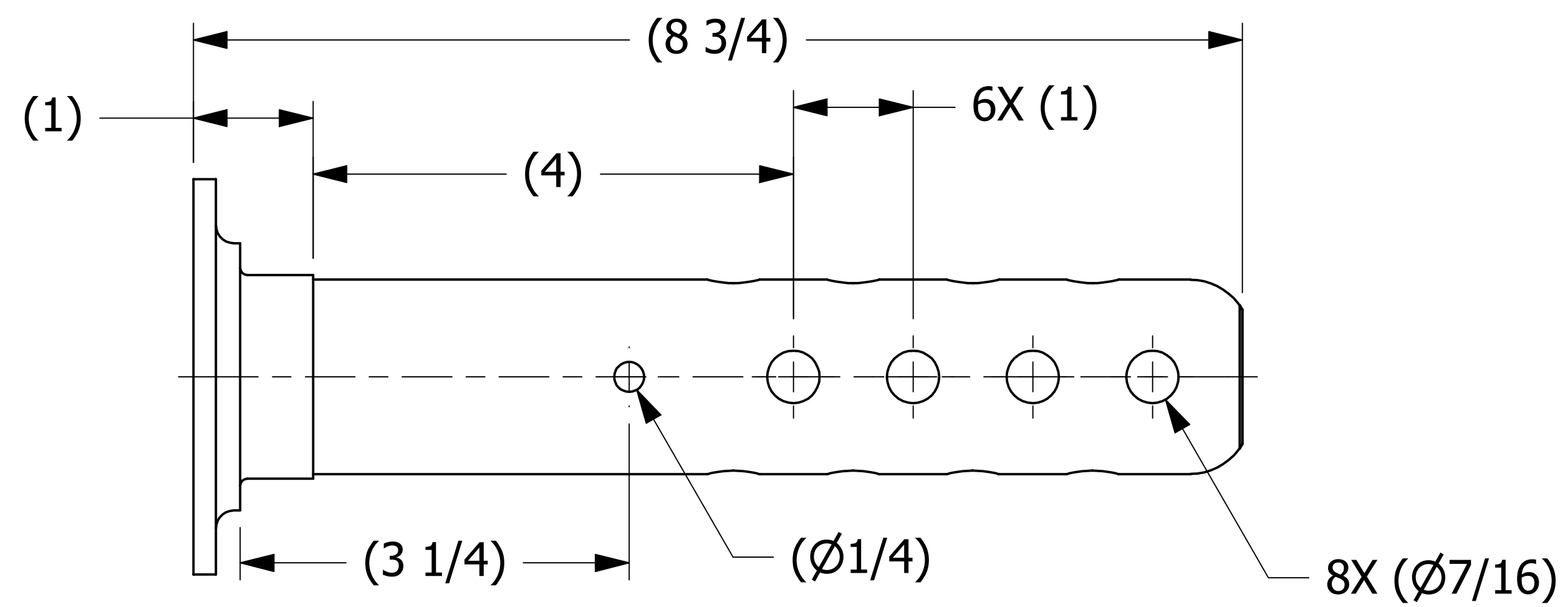
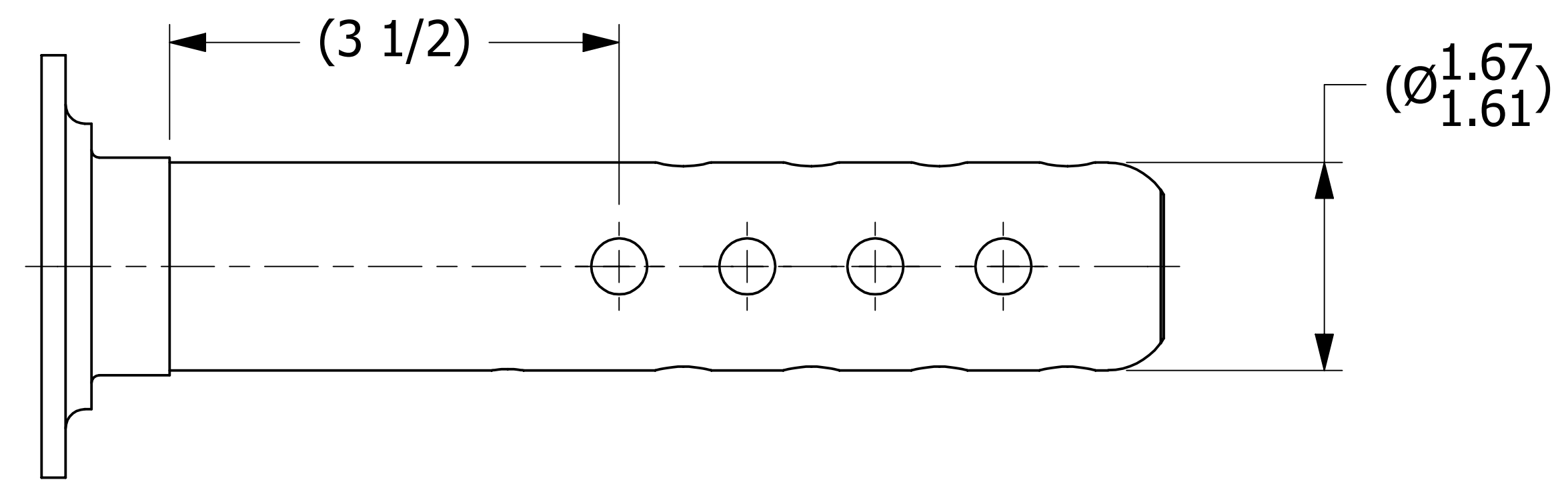
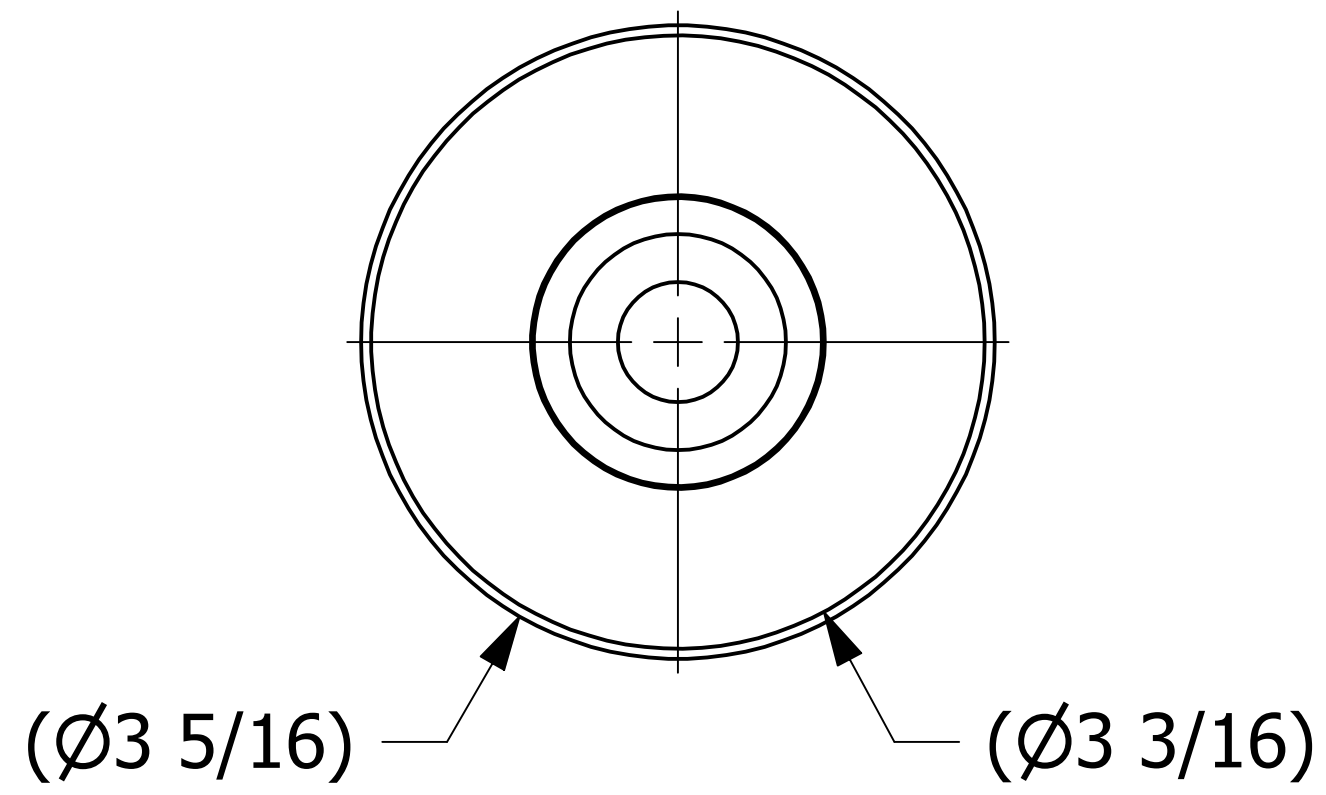


SALES DRAWING SALES DRAWING

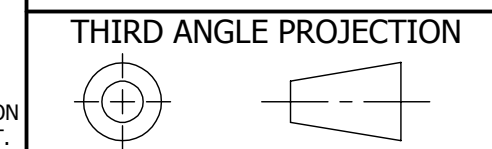
SALES DRAWING SALES DRAWING



NOTE:
AAR APPROVAL NUMBER IS E-119002.

THIS PRINT, PROPERTY OF SALCO PRODUCTS INC. CONTAINS PROPRIETARY INFORMATION AND MUST NOT BE COPIED, REPRODUCED, OR USED DETRIMENTALLY TO OUR INTEREST.

UNLESS OTHERWISE SPECIFIED
DIMENSIONAL TOLERANCES
FRACTIONAL: ±1/16
X.XX: ±.03
X.XXX: ±.015
ANGULAR: ±1°
DEBURR ALL SHARP EDGES.
ALL MACHINED SURFACES TO
HAVE A 125 RMS FINISH
UNLESS NOTED OTHERWISE.



DRAWN BY:	RJP
CHECKED BY:	CHL
PROTOTYPE BY:	RJP
PROTOTYPE DATE:	11/20/2015
APPROVED FOR PRODUCTION BY:	JRO
PRODUCTION DATE:	11/24/2015

A	RJP	11-24-15	RELEASED FOR PRODUCTION
REV	BY	DATE	DESCRIPTION
SALCO PRODUCTS, INC.			
PART NAME: SURGE PROTECTOR			
MATERIAL: SALCO PE		PROJECT #: H151120F	SHEET #: 1 OF 1
DRAWING #: D42790		PART #: HSSPRD3302	
		SCALE: 1:1	